

<b>DATA SHEET</b>	<b>CODE:</b> FT-P-PS-P-061
<b>FRP LIGHT POLE ANCHOR BASE INSTALLATION</b>	
<b>SYSTEM MANAGEMENT COMPREHENSIVE</b>	<b>VERSION:</b>
<b>INGENIERÍA ENERGÍA Y TELECOMUNICACIONES</b>	<b>DATE:</b> [Código inválido]

**1. PRODUCT NAME**

FRP LIGHT POLE ANCHOR BASE INSTALLATION

**2. DESCRIPTION**

Monolithic Fiberglass Reinforced Polyester Pole with anchor base constructed of galvanized steel.

**3. CHARACTERISTICS**

Conical structure pole is used as a lighting support, with characteristics of low weight, high mechanical resistance, durability and low electrical conductivity.

Skin coat with U.V. protection (RAL 7040 approximate) Gray color or other colors by agreement.

Drilling according to customer requirements.

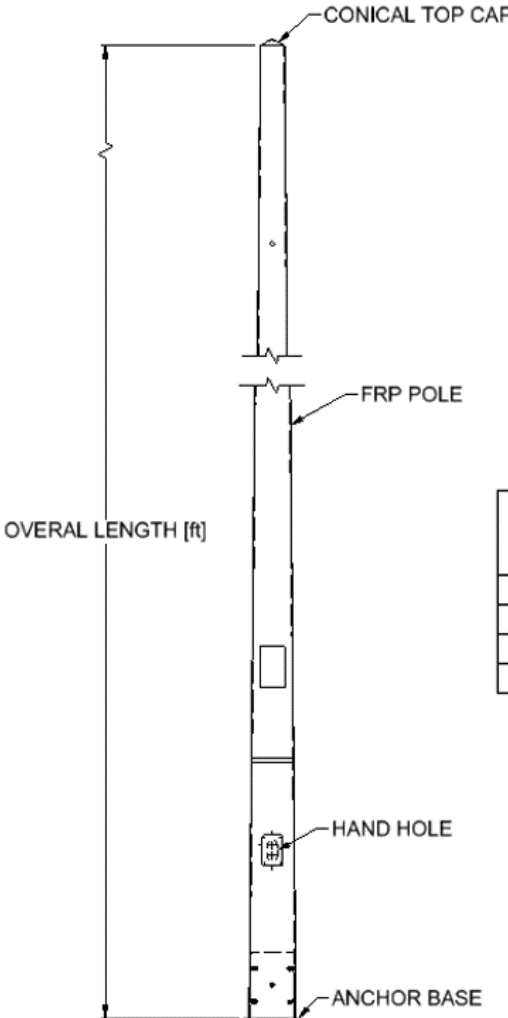
Textured surface.

Identified with a permanent embossed tag.

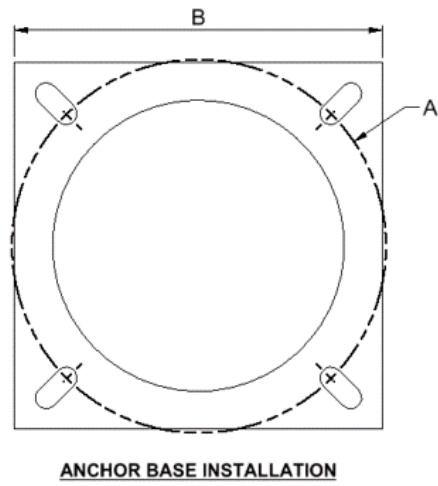
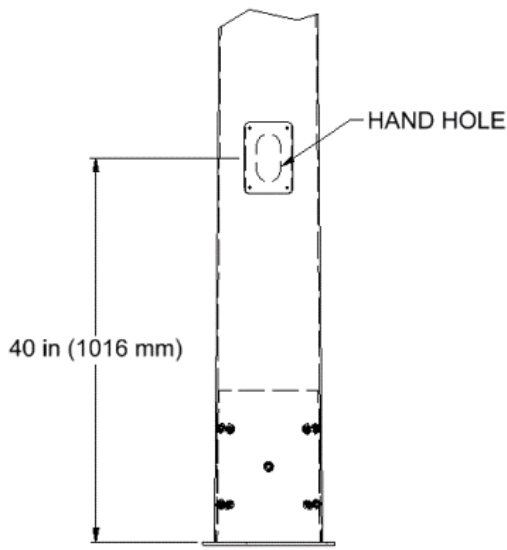
Anchor bases are constructed of galvanized steel according to the ASTM A-123 standard.

Standard 2-1/2" x 5" handhole located 40" above grade.

**4. TECHNICAL SPECIFICATIONS**



OVERAL LENGTH [ft]	TIP DIAMETER [in]	GROUNDLINE DIAMETER [in]	WEIGHT [lb]
25	6	11,4	141
30	6	12,48	189
33	6	13,128	240
35	6	13,56	282



ANCHOR BASE DIMESIONS

OVERAL LENGTH [ft]	BOLT CIRCLE (A) [in]	BASE PLATE SIZE (B) [in]	ANCHOR BOLTS [in]	SLOT SIZE [in]
25	14	13.75	0.75	0.8125*1,875
30	14.5	14.25	0.75	0.8125*1,875
33	16	15.25	0.75	0.8125*1,875
35	16,5	16.5	1	1,062*2.5

WIND LOADING DATA

Wind speed (MPH) values calculate as per ANSI C 136.20 for a 3-second gus factor

OVERAL LENGTH [ft]	LUMINAIRE MAX WEIGHT [LBS]	90 MPH	100 MPH	110 MPH	120MPH	130 MPH	140 MPH	150 MPH
25	100	3,2	2,7	2,3	2	1,7	1,5	1,2
30	100	2,7	2,2	1,8	1,6	1,4	1,2	1
33	100	2,4	2	1,6	1,4	1,2	1	----
35	100	2,2	1,8	1,5	1,3	1,1	----	----

Wind speed values are for a 3-second gust.

Calculated per ANSI C136.20-2012. Assumes load 12 inches above the pole top. Safety factor = 1.5:1.

Contact factory for AASHTO or specific local codes.

ELABORATED		REVISED		APPROVED	
<b>Cargo:</b>	Ingeniero de soporte	<b>Cargo:</b>	Profesional Tecnológico II Industria	<b>Cargo:</b>	Analista de Gestión Integral
<b>Fecha:</b>	24/Ene/2024	<b>Fecha:</b>	21/Feb/2024	<b>Fecha:</b>	27/Feb/2024